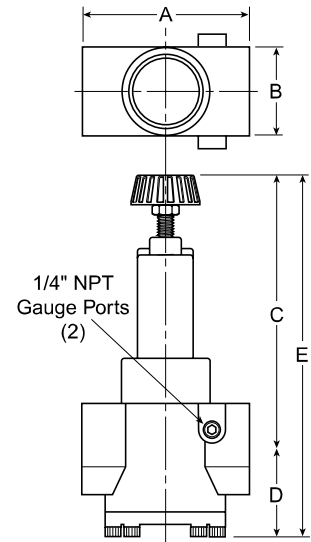


**09R Regulators – Hi-Flow**



**Features**

- Piston design for reduced downtime
- High flow
- Balanced poppet for quick and accurate regulation
- Two full flow 1/4" gauge ports which can be used as additional outlets
- Self relieving piston standard
- High flow: 2" – 1000 SCFM§



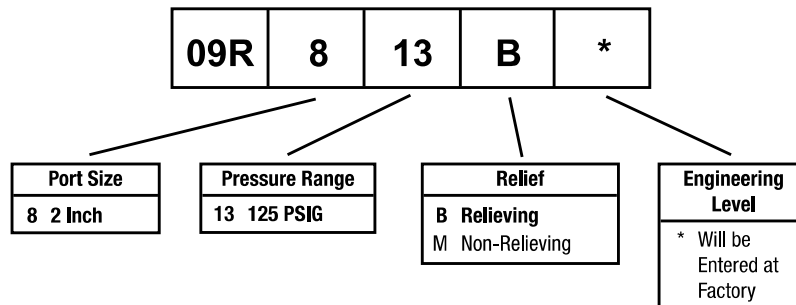
<b>Port Size</b>	<b>NPT</b>
Without Gauge	
2"	<b>09R813B*</b>

<b>09R Regulator Dimensions</b>				
A	B	C	D	E
5.30 (135)	3.60 (91)	9.10 (231)	2.80 (71)	11.90 (302)

Inches (mm)

**Standard part numbers shown bold.**  
**For other models refer to ordering information below.**  
 § SCFM = Standard cubic feet per minute at 100 PSIG inlet,  
 90 PSIG no flow secondary setting and 10 PSIG pressure drop.

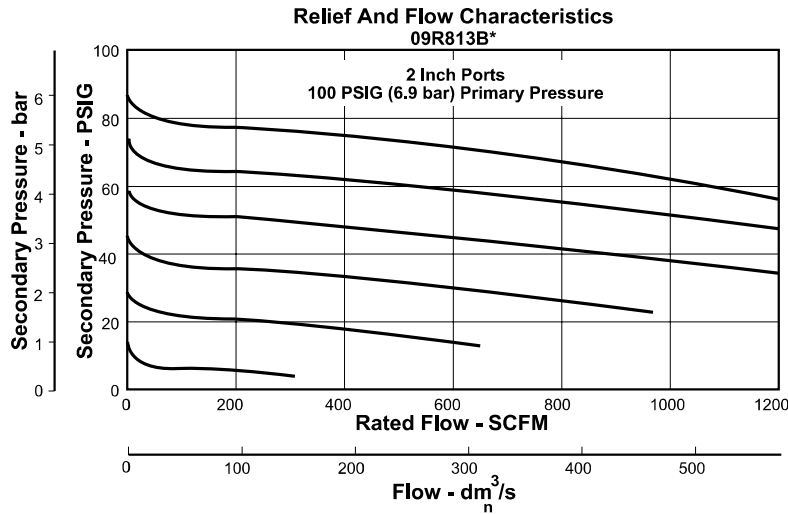
**Ordering Information**



**BOLD ITEMS ARE MOST POPULAR.**

Technical Specifications – 09R

Technical Information



**⚠ WARNING**

Product rupture can cause serious injury.  
Do not connect regulator to bottled gas.  
Do not exceed maximum primary pressure rating.

**⚠ CAUTION:**

**REGULATOR PRESSURE ADJUSTMENT** – The working range of knob adjustment is designed to permit outlet pressures within their full range. Pressure adjustment beyond this range is also possible because the knob is not a limiting device. This is a common characteristic of most industrial regulators, and limiting devices may be obtained only by special design. For best performance, regulated pressure should always be set by increasing the pressure up to the desired setting.

09R Regulator Kits & Accessories

- Body Service Kit ..... PS603
- Gauges –
  - 2" Dial Face
    - 160 psig (0 to 11.0 bar).....K4520N14160
    - 300 psig (0 to 20.0 bar)..... K4520N14300
  - 1-3/4" Digital Round Face
    - 160 psig (0 to 11.0 bar)..... K4517N14160D
- Mounting Bracket Kit ..... PS605
- Service Kit –
  - Non-Relieving ..... PS604
  - Relieving ..... PS626
- Springs –
  - 2-125 PSIG Range ..... PS602

Specifications

- Gauge Ports (2) ..... 1/4 Inch  
(Can be used as additional Full Flow 1/4 Inch Outlet Ports)
- Port Threads ..... 2 Inch
- Primary Pressure Rating –
  - Maximum Primary Pressure ..... 250 PSIG (17.2 bar)
- Secondary Pressure Range – ..... 10 to 125 PSIG (0.7 to 8.6 bar)
- Temperature Rating ..... 32°F to 150°F (0°C to 66°C)
- Weight ..... 10.82 lb. (53 kg)

Materials of Construction

- Adjusting Stem & Springs ..... Steel
- Body ..... Zinc Alloy, Die Cast
- Bonnet, Piston Stem, Valve Poppet & Cap ..... Aluminum
- Piston, Cap ..... Plastic
- Seals ..... Nitrile